



Military Vessels Protection
Save Lives
Reduce Damage



High-pressure
water mist fire protection



www.ultrafog.com



Delivering fire protection solutions for military vessels and its crew



Protecting a military vessel, its crew, hangar, cargo and weapon areas from fire is paramount.

Even in the most critical situations, Ultra Fog provides effective, fast reacting fire protection for all types of military applications. Ultra Fog specialises in optimised solutions, offering quick release, reliable fire suppression using the safest (non-toxic), most environmentally friendly and readily available extinguishing medium on the market today: water. This highly sophisticated water mist technology uses a significantly reduced quantity of water and rapid cooling effect, which will control and extinguish the fire quickly. The Ultra Fog system reduces potential fire and water damage to military equipment and infrastructure, ensuring the post-fire stop time is reduced to a minimum. Ultra Fog's solution for helidecks includes innovative embedded, hidden floor or deck nozzles which 'pop up' on system release.



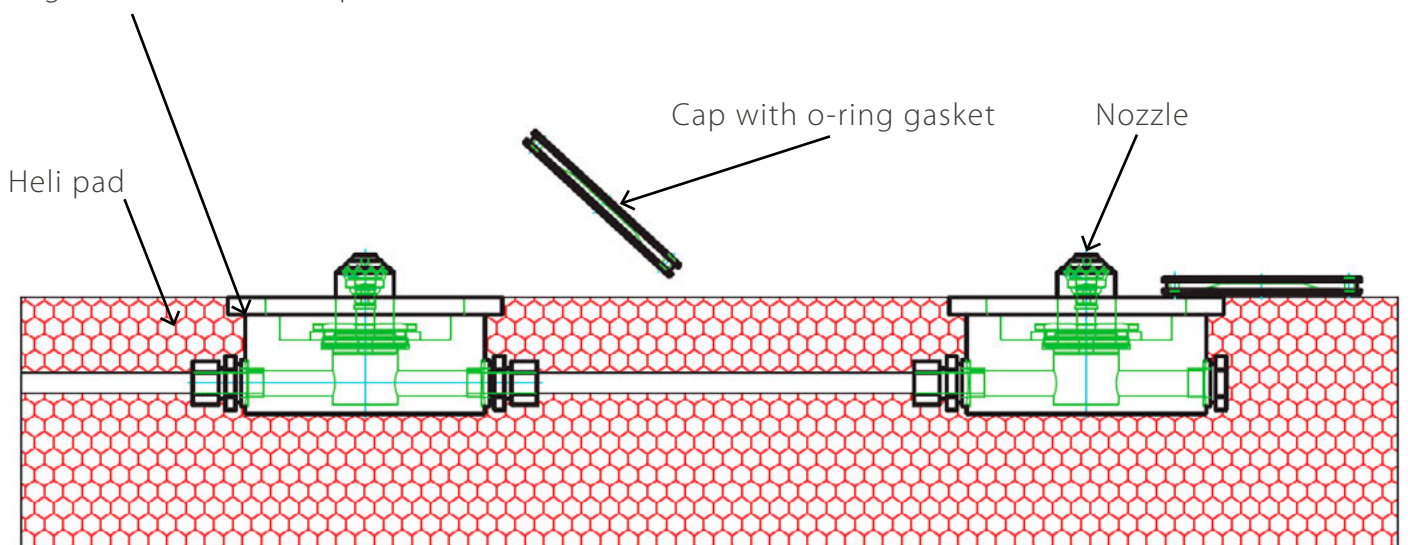
Ultra Fog system is type approved for all areas of the vessel: engine room and machinery spaces, weapons storage, garage, accommodation areas, galleys and fat fryers. Easy to install and lightweight in comparison with a conventional sprinkler or other fire suppression systems, Ultra Fog, is the proper choice for military applications worldwide. International warranties and aftersales support is an integral part of the Ultra Fog scope of supply.



Ultra Fog Pop-up nozzles

Water pressure will lift up nozzles with power, and the cap will be removed from the body. A triggered nozzle is to be reintegrated by pushing the nozzle and the cap back to their original position.

Interface between nozzle & heli pad to be engineered after order placement



Ultra Fog Classification Testing and Approvals

The Ultra Fog Water Mist System is rated as Class 1 according to the National Fire Protection Association Code (NFPA, USA). Basically it means that Ultra Fog has the smallest average droplet size, which ensures effective fire fighting performance.

- Ultra Fog's Water Mist System has been fire tested by the Swedish Test Laboratory (SP), SINTEF - Norway and Danish Fire Laboratory (DFL) which are fully authorised by IMO, and the Southwest Research Institute (SwRI), United States.
- IMO Res. A.800(19) and IMO Res MSC 265(84) for accommodation areas, stores and service areas.
- IMO MSC/Circ.1165 and MSC/Circ.913, machinery areas, total flooding in pump rooms and local applications.
- IMO MSC.1/Circ.1272 and IMO MSC.1/Circ.1430, protection of RoRo and special category spaces.
- IMO MSC.1/Circ.1268, protection of balconies.
- IMO MSC/Circ.1387, local applications.
- ISO 15371, for protection of galley cooking equipment (including deep fat fryers & galley hood).
- A performance Effectiveness Analysis was carried out by DNV, Norway.
- Component testing by the laboratory of UL, USA.

Since 1990, Ultra Fog has been committed to a continuous programme of product development and fire testing in response to the latest rules, regulations, and standards around the world. Ultra Fog products are 3rd party tested and approved, in accordance with internationally recognised test protocols.

Ultra Fog | Sweden

Faktorvägen 17Q
434 37 Kungsbacka
Telephone: +46 (0)31 979 870

Ultra Fog | Italy

Via Dei Ghivizzani 1859
55054 Massarosa
Telephone: +39 0584 390609

Ultra Fog | Italy

Via Vincenzo Monti 52
20017 Rho (Milano)
Telephone: +39 02 09943101

Ultra Fog | United Kingdom

Office No. 113
1010 Cambourne Business Centre
Cambourne, Cambridgeshire CB23 6DP
Telephone: +44 (0)1223 499180

Ultra Fog | Monaco

57 rue Grimaldi Block C/D
98000 Monte Carlo
Email: service@ultrafog.com
Telephone: +377 99901481

Ultra Fog | United States

3380 SW 11th Avenue
Fort Lauderdale FL 33315
Email: salesusa@ultrafog.com
Telephone: +1 (954) 581 6996



info@ultrafog.com



www.ultrafog.com



www.linkedin.com/company/ultra-fog



Local Ultra Fog Distributor

All rights reserved. Ultra Fog AB.

Ultra Fog reserves the right to modify or change the information or specifications in this brochure without notice.